

ASKO
Inspired by Scandinavia



Washing Machines **Classic**



Quattro Construction™

Exclusive suspension system with stainless steel inner and outer drum and 4 shock absorbers to reduce vibrations and increase machine stability life span.



Steel Seal™ Door

Washing machine opening without a rubber seal for better hygiene, no smell, easier access, and increases life span.



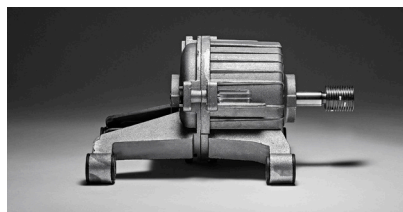
Dose Assist

Recommends the optimum amount of detergent needed for the cycle. Saves detergent and ensures perfect performance.



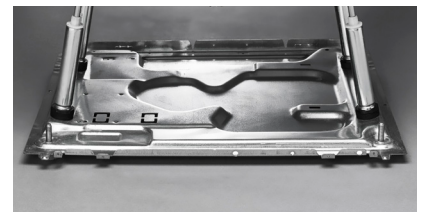
Active Drum™

Gentle on fabrics and tough on stains.



Long-life brushless motor

Increases the lifespan of the washer, reduces energy consumption and noise.



Long durability

Manufactured with high-quality steel parts that can withstand the test of time. Designed to last for 20 years.



W2084W

Front-loaded washing machine
White
Loading capacity: 17.6 lb
Max spin: 1400 rpm
Dose Assist



Washing Machines — Classic

Spinning without vibrations: Quattro Construction™ professional suspension system, **Gentle on fabrics, tough on stains:** Active Drum™, **Hygienic door without rubber gasket:** Steel Seal™, **Always the right amount of detergent:** Dose Assist



Features

- Quattro Construction™ anti-vibration build: 4 shock absorbers to increase stability and durability
- Steel Seal™ anti-mold porthole without a rubber seal
- Stainless steel drum and tank // Rust-resistant galvanized steel body // Brushless induction motor
- 20 years of domestic use (Quality test: 10,000 h, 225 cycles per year)

Performance

- Dose Assist measures the load weight and calculates the required amount of detergent
- Active Drum™ ensures a gentle and effective motion that preserves fabrics

Comfort

- Easy to read LCD display
- Large ergonomic knob for easy navigation through the menu
- Remaining time display // Favorite programs // Signal at end of program // Adjustable feet

Programs

- 15 programs: Universal wash, Cotton, Mix/synthetics, Wool/hand, Dark wash, Time program, Auto, Quick, Heavy, Easy care, Quick Pro, Rinse, Spin, Drain, Drum cleaning

Program modes

- 4 modes: Normal mode, Green mode, Speed mode, Intensive mode

Dose modes

- Dose Assist

Options

- Temperature, Spin speed, Super rinse, Dose Assist, Pre-wash, High water level, Anti-crease, Delayed start

Settings

- Child lock, Language selection, Temperature unit, Acoustic signals, Display settings, Set programs, Reset

Safety

- Aqua Block™ full protection against all leaks:
 - Control of water intake duration // Anti-overflow protection // Anti Block™ drain pump
 - Ultra-durable PEX water inlet hose, with a lifespan of approx. 50 years
- Child safety/electronic strip lock // After-sale self-diagnostics

Dimensions

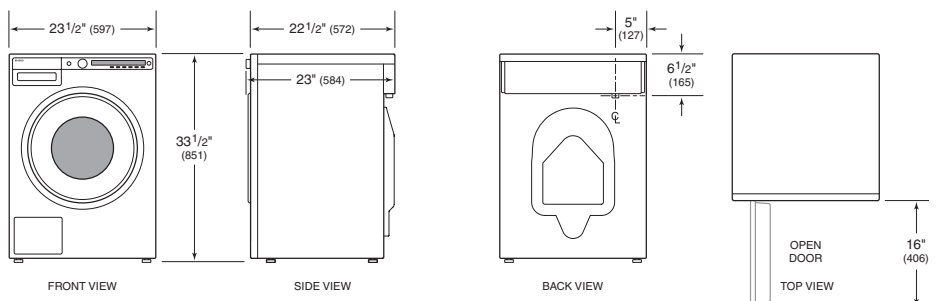
- Appliance dimensions (H x D x W): 33 7/16" × 23 7/16" × 23 1/16" (850 × 595 × 585 mm)
- Length of the power cable: 78 3/4" (2000 mm)
- Length of the PEX inlet hose / Locknut dimensions: 59 1/16" (1500 mm) / 3/4"
- Drain hose length: 63" (1600 mm)

Technical data

- Electrical requirements: 208-240V / 15A / 60Hz
- Electrical connection: unit comes ready fitted with a 208-240V 20A plug
- Drum volume: 2.1 cu. ft.
- Noise level during washing dB(A): 51
- Noise level during spin dB(A): 75
- Energy consumption/100 cycles (kWh): 54
- Water consumption standard cycle: 12.15 gal (46 L)
- Max spin: 1400 rpm
- Remaining moisture after spin: 48 %
- Loading capacity: 17.6 lb (8 kg)

ASKO washers can be connected to ASKO dryers - using 30A connection for the ASKO Tumble Dryer - valid for all washers and all dryers.

Installation*



*Check technical and installation specifications on the us.asko.com website for any updated information.