

ASKO
Inspired by Scandinavia



Washing Machines

Logic



Quattro Construction™

Exclusive suspension system with stainless steel inner and outer drum, cast iron weights, and 4 shock absorbers to reduce vibrations and increase machine stability life span.



Steel Seal™ Door

Washing machine opening without a rubber seal for better hygiene, no smell, easier access, and increases life span.



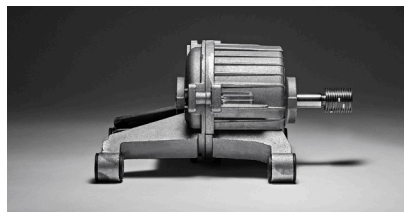
XL loading capacity

33% larger drum than Classic. 24.3 lb loading capacity and 2.8 cu ft drum volume. Can fit queen and king-size comforters.



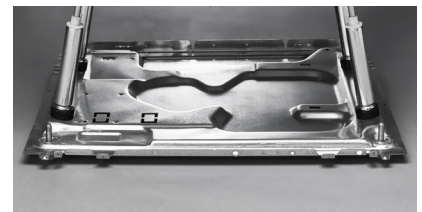
Active Drum™

Gentle on fabrics and tough on stains.



Long-life brushless motor

Increases the lifespan of the washer, reduces energy consumption and noise.



Long durability

Manufactured with high-quality steel parts that can withstand the test of time. Designed to last for 20 years.



W4114CW

Front-loaded XL washing machine
White
Loading capacity: 24.3 lb
Max spin: 1400 rpm
Dose Assist/Steam



W4114CT

Front-loaded XL washing machine
Titanium
Loading capacity: 24.3 lb
Max spin: 1400 rpm
Dose Assist/Steam

Washers — Logic

Spinning without vibrations: Quattro Construction™ professional suspension system, **Gentle on fabrics, tough on stains:** Active Drum™, **Hygienic door without rubber gasket:** Steel Seal™, **Heavy duty design:** Cast-iron counterweight, **Always the right amount of detergent:** Dose Assist, **Soft cleaning and refreshment:** Steam programs



Features

- Quattro Construction™ anti-vibration build: 4 shock absorbers to increase stability and durability
- Steel Seal™ anti-mold porthole without a rubber seal // Cast iron counterweights
- Stainless steel drum and tank // Rust-resistant galvanized steel body // Brushless induction motor
- 20 years of domestic use (Quality test: 10,000 h, 225 cycles per year)

Performance

- Dose Assist measures the load weight and calculates the required amount of detergent
- Active Drum™ ensures a gentle and effective motion that preserves fabrics

Comfort

- Easy to read LCD display
- Large ergonomic knob in solid aluminium for easy navigation through the menu
- Remaining time display // Favorite programs // Signal at end of program // Adjustable feet

Programs

- 22 programs: Universal wash, Cotton, ECO 40-60°, Mix/synthetics, Wool/hand, Dark wash, Time program, Auto, Quick, Heavy, Easy care, Jeans, Shirts, Steam refresh, Quick Pro, Hygiene, Bedding, Allergy cotton, Allergy synthetics, Rinse, Spin, Drain, Drum cleaning

Program modes

- 5 modes: Normal mode, Green mode, Speed mode, Allergy mode, Intensive mode

Dose modes

- Dose Assist

Options

- Temperature, Spin speed, Super rinse, Dose Assist, Pre-wash, High water level, Anti-crease, Delayed start

Settings

- Child lock, Language selection, Temperature unit, Display settings, Set programs, Acoustic signals, Reset

Safety

- Aqua Block™ full protection against all leaks:
 - Control of water intake duration // Anti-overflow protection // Anti Block™ drain pump
 - Ultra-durable PEX water inlet hose, with a lifespan of approx. 50 years
- Child safety/electronic strip lock // After-sale self-diagnostics

Dimensions

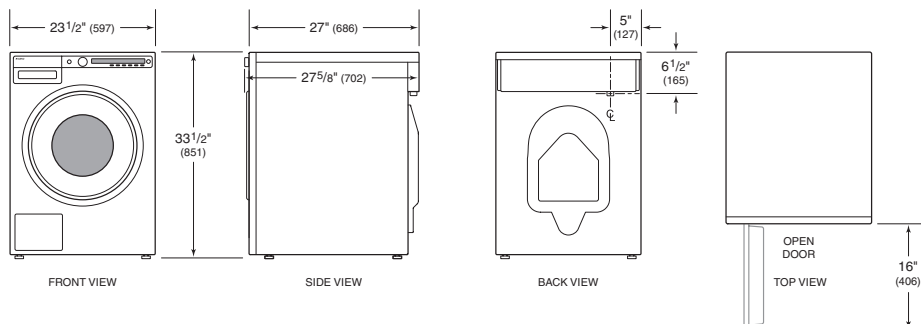
- Appliance dimensions (H x D x W): 33 7/16" x 23 7/16" x 27 9/16" (850 x 595 x 700 mm)
- Length of the power cable: 78 3/4" (2000 mm)
- Length of the PEX inlet hose / Locknut dimensions: 59 1/16" (1500 mm) / 3/4"
- Drain hose length: 63" (1600 mm)

Technical data

- Electrical requirements: 208-240V / 15A / 60Hz
- Electrical connection: unit comes ready fitted with a 208-240V 20A plug
- Drum volume: 2.8 cu ft (80 L)
- Noise level during washing dB(A): 52
- Noise level during spin dB(A): 74
- Energy consumption/100 cycles (kWh): 61
- Water consumption standard cycle: 12.6 gal (48 L)
- Max spin: 1400 rpm
- Remaining moisture after spin: 48 %
- Loading capacity: 24.3 lb (11 kg)

ASKO washers can be connected to ASKO dryers - using 30A connection for the ASKO Tumble Dryer - valid for all washers and all dryers.

Installation*



*Check technical and installation specifications on the us.asko.com website for any updated information.