

# ASKO

Inspired by Scandinavia



# Outdoor Dishwasher



## 8 Steel™

Eight of the most important parts are made of robust steel or high grade stainless steel. Designed to last for 20 years.



## UL - Underwriters Laboratories

The only UL approved Outdoor Dishwasher in the world. Can be installed freestanding or built-in to an outdoor kitchen.



## Premium Flexiracks™ with top tray

Can hold 16 place settings.  
XXL: tallest interior tub on the market.



## Super Cleaning System+™

Forget rinsing by hand.



## 7 Spray™ Zones

For better washing performance.



## Brushless Motors

Enjoy the power of silence.



**DOD561TXXLS**

T-Bar Handle  
 Freestanding Outdoor, XXL  
 Stainless Steel  
 Interface: Logic

# Outdoor Dishwasher

**Durable and sturdy steel racks:** 3 level Flexiracks™, **Low noise level:** 48 db(A), **Effective and fast drying:** Auto door opening, **Heavy duty design:** 8 Steel™ construction, **Superior cleaning performance:** 7 Spray™ system



**Features**

- 8 Steel™ construction: non-magnetic stainless steel container, inner door, spray arms, strainers, spray pipes; nylon-coated steel racks; steel feet and outer base in steel.
- Both circulation and drain pump have extra durable and quiet brushless motors.
- Fully graphical FFSTN display.
- **Only UL approved Outdoor dishwasher in the world!**

**Performance**

- Super Cleaning System™: Intensive rinsing that cleans the dishes and the machine before main wash.
- Unique 7 Spray™ system, designed for reaching every corner of the dishwasher.
- Adjustable power zones, possible to set for cleaning pots & pans or bottles & vases. Also possible to turn off.
- Auto door opening
- Designed for 20 years of domestic use. (Quality test: 12,500 hours, 280 cycles per year)

**Programs / Options**

- 8 Programs: Normal, Light, Intensive, Quick, Time, Sanitize, Rinse and Hold, Self-Cleaning.
- Washing temperatures: 131 to 158°F.
- 3 Modes: Speed, Night, Heat Boost.
- 2 options: Automatic door opening, Delayed start (1-24 h).

**Comfort / Safety**

- The Aqua Safe™ system guarantees protection against water leaks.

**Dimensions**

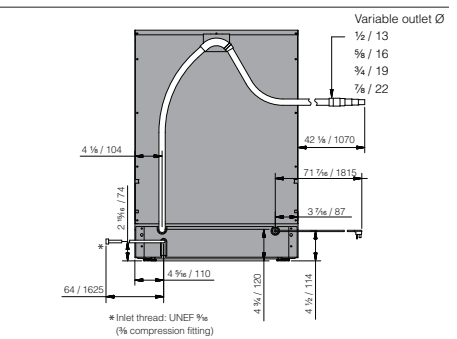
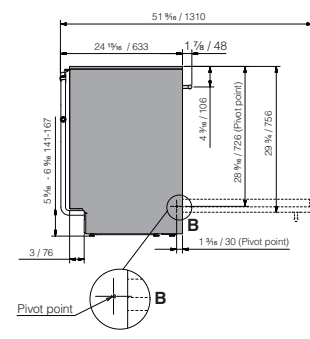
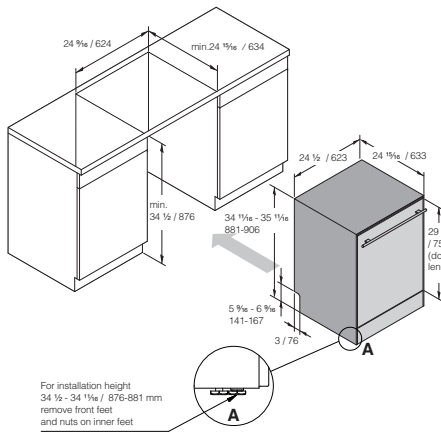
- Appliance dimensions (H / W / D): 34 11/16" - 35 11/16" / 24 1/2" / 24 15/16"
- Necessary space dimensions (H / W / D): 34 1/2" / 24 9/16" / ≥24 15/16"
- Length of the power cable / Location: 71 7/8", 1825 mm / Back right.
- Length of PEX inlet hose / Locknut dimensions\* / Location: 64", 1625 mm / 3/4", 19.5 mm / Back left
- Length of outlet hose / Outlet diameter / Location: 59 5/8", 1515 mm / 3/4", 19.5 mm / Back left
- Custom door length / Rotation point: 31 1/2" (sliding door: 33 1/16") / 27 15/16", 800 (sliding door: 840) / 710mm).

**Baskets and drawers**

- Height adjustable top tray
- Height adjustable Premium Upper Rack
- Premium Lower Rack
- Cutlery Basket

**Installation**

Measurements: inches / millimetres



(Shown: DOD561TXXLS)